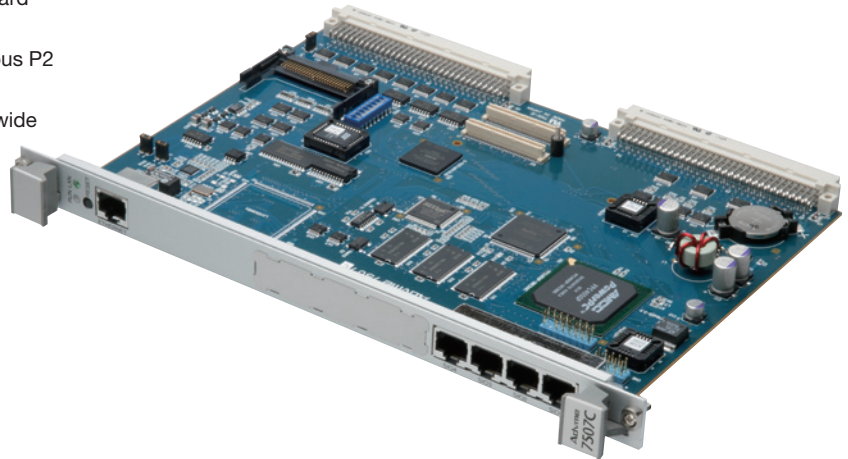


AMCC PowerPC405GP VME bus CPU Board

Overview

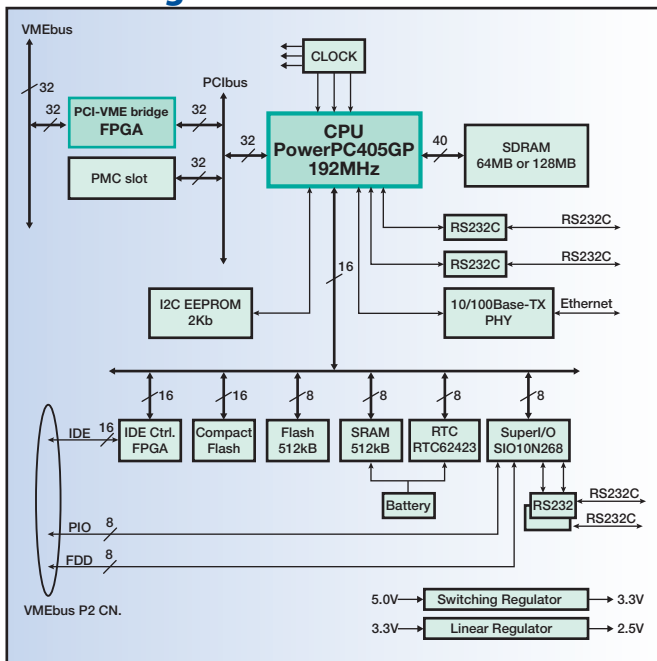
Advme7507C is a VME bus CPU board equipped with AMCC PowerPC405GP.

Its low-power and cost-effective PowerPC core with standard interfaces such as 10/100Base-TX, RS232C (4ch), CompactFlash and PMC (PCI mezzanine card), and VME bus P2 connector equipped with parallel port, IDE and floppy disk interfaces enable the single board computer to be of very wide application.



*CompactFlash medium is optional.

Block Diagram



Specifications

CPU	Processor	AMCC PowerPC405GP 192MHz
	Cache	8kB for Data and 16kB for Instruction
Memory	Main Memory	SDRAM 64MB /128MB (optional) ECC support
	Boot ROM	512kB FLASH memory
	Serial EEPROM	2kbit
Front panel I/O	Ethernet	1 × 10/100 Base-TX
	Serial Port	4 × TIA/EIA-232E standard
On-board I/O	RTC	RTC62423 Battery Backup
	PMC	1 × PMC slot
	CompactFLASH	Compatible with 3.3V module
	Other	SuperIO, IDE Interface
PCI-VME bridge	Bus Bridge	NARUTO II (Advanet Original)
VMEbus	Standard	Compliant to VME bus Rev.C.3
	Bus width	A32/A24/A16, D32/D16/D08 (EO)
	Functions	Applicable for both system slot and peripheral slot
Power Supply		DC5.0V±5% (supplied by VMEbus) DC12.0V±5% (supplied by VMEbus) (Used at PMC slot only)
Consumption	Current	2.5A (max.)
Form Factor		6U size, Single Slot

Please consult us regarding your specific custom requirements

Note: The following specifications and product appearance are subject to change for enhancement without notice.



Headquarters 616-4, Tanaka, Kita-ku, Okayama 700-0951 JAPAN TEL +81-86-245-2861 FAX +81-86-245-2860
 Tokyo Branch KDX Kaji-cho 4F, 3-5-2 Kanda Kaji-Cho, Chiyoda-ku, Tokyo 101-0045 JAPAN TEL +81-3-5294-1731 FAX +81-3-5294-1734
 Kobe R&D Center Misaki U 2F, 1-2-1 Misaki-cho, Hyogo-ku, Kobe City, Hyogo Pref. 652-0855 JAPAN TEL +81-78-652-8100 FAX +81-78-652-8177