



MPMC-SERIAL Serial I/O Module

Specifications:

- Serial I/O Channels: Up to 16 Independent (or 8 ports with individual handshake lines (RTS, CTS) on each channel)
- Character size, stop bits, parity, and baud rate are software configurable
- 128-byte transmit FIFO buffers and 128-byte receive FIFO buffers
- Dual Port RAM for DMA
- Hardware (RTS/CTS or DTR/DSR), Software (Xon/Xoff) or no flow control is set per-port
- Prioritized interrupt generation
- Industry-standard software-compatible 16C550 configuration registers (also compatible with SC29C198)
- Socketed termination and bias resistors

PMC Compliance

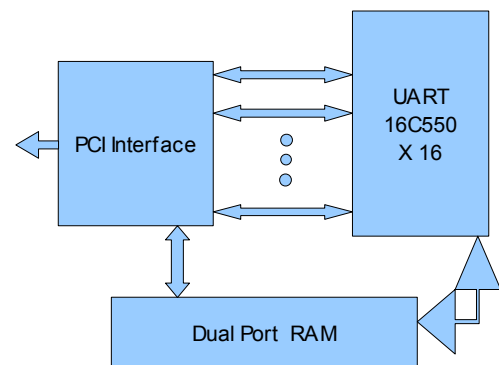
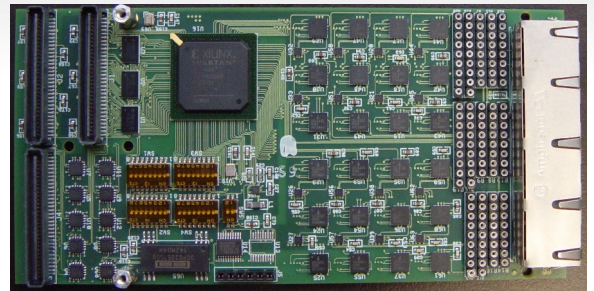
- Conforms to PCI Local Bus Specification, Revision 2.3 and CMC/PMC Specification, P1386.1
- 33/66 MHz Capable and 32-bits
- Signaling: 3.3V and 5V compliant (Auto sense)
- Front (68-pin SCSI-3 connector) or rear I/O connectors Conformal coating is standard on all units

Power Requirements

- +5 Volts @ 150mA
- +12Volts @ 100mA

Environmental

- Operating Temperature: -40 to 85 °C
- Storage Temperature: -40 to 125 °C



The MPMC-SERIAL Serial I/O Module may be configured as a Drop-in Replacement for Acromag PMC520 and PMC521 and Ramix, SBS or GE PMC421, PMC422, PMC423, PMC-OCTPRO-232, PMC-OCTPRO-422

The user may choose to take advantage of the onboard DC-DC converter that supplies 5V up to 2W configure or, configure the unit as the standard Acromag® or Ramix SBS configuration which require an external 5V supply for each channel.

Merlin Embedded
10415 Willow Ridge Loop
Orlando, FL 32825
(866) 700 7704
www.merlinembedded.com

All trademarks are the property of their respective owner. Please note that Merlin Embedded is not associated with any of the companies for whom our products are drop-in replacements.